

# ACRYLIC BATHTUBS

## WARRANTY

## ASSEMBLY AND MAINTENANCE INSTRUCTIONS

Please read and follow carefully  
instructions in this manual

- Before packaging all bath units are rigorously factory tested for quality and proper operation
- Prior to installation check all the packed parts and examine for any visible damage
- No claims regarding damage will be recognized after installation

## WARRANTY TERMS

1. This warranty is valid as long as usage and installation have followed the assembly and maintenance procedures within this manual. The warranty period for our bathtubs is 20 years from the date of purchase. It expires automatically if damage has originated from the following causes:
  - improper installation and nonobservance of the installation instructions,
  - poor water quality and accumulation of limescale,
  - use of improper cleaning agents,
  - unauthorised repairs,
  - use with disregard to operating instructions,
  - mechanical damage.
2. The customers are asked to place objections in the place of purchase or with the RUBEN Design service.
3. All defects will be removed free of charge within 21 days by either repairing or replacement of the faulty bath unit.
4. An authorised RUBEN Design Service Centre/Agent decides on the method of repair.
5. Should a damage occur on which no guarantee is granted all cost of repairs and service visit are covered by the customer.
6. This warranty is valid only with the receipt of purchase.
7. Duplicates of the warranty will not be issued.

**NOTE! Please allow adequate service access to the system components. The warranty does not cover defects or damage caused by user or other person.**

## BATHTUB INSTALLATION

- Each bath unit is delivered in a paperboard container and covered in polyethylene film to protect from shipping damage.
- Install all of the required plumbing and drainage before securing the bath unit. Insure that prior to the installation the floor is levelled.
- There are three installation variants, each suitable for a specific bathtub model.

### ▼ INSTALLING THE FEET

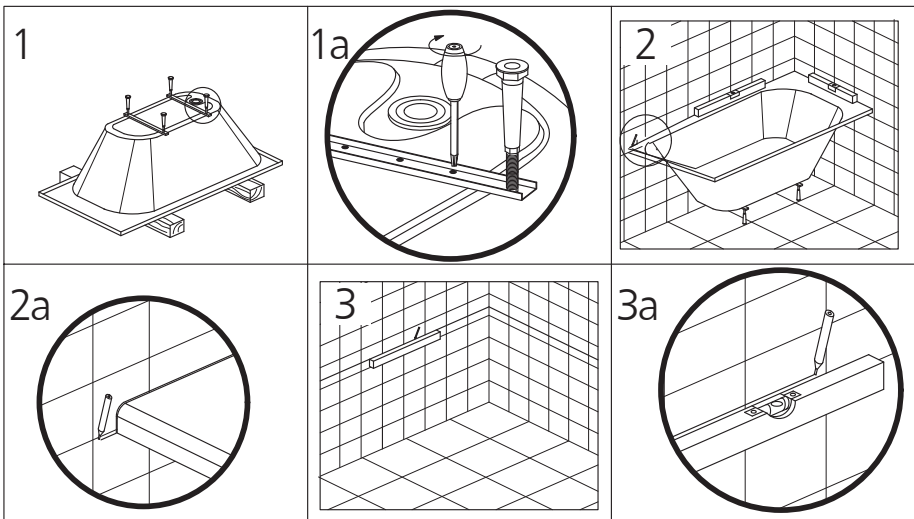
1. Turn the bathtub upside down and place it on soft, non-scratchy surface.

Follow the procedure as shown in fig. 1-1a.

Begin by screwing two plastic feet with metal pins M10 on to each of the bottom rails. Affix the rails to the bottom using the enclosed screws (important: use only original screws included in the package). The distance between the rails should be 60 to 80 cms depending on the bathtub length.

Use caution while working so as not to damage the tub shell.

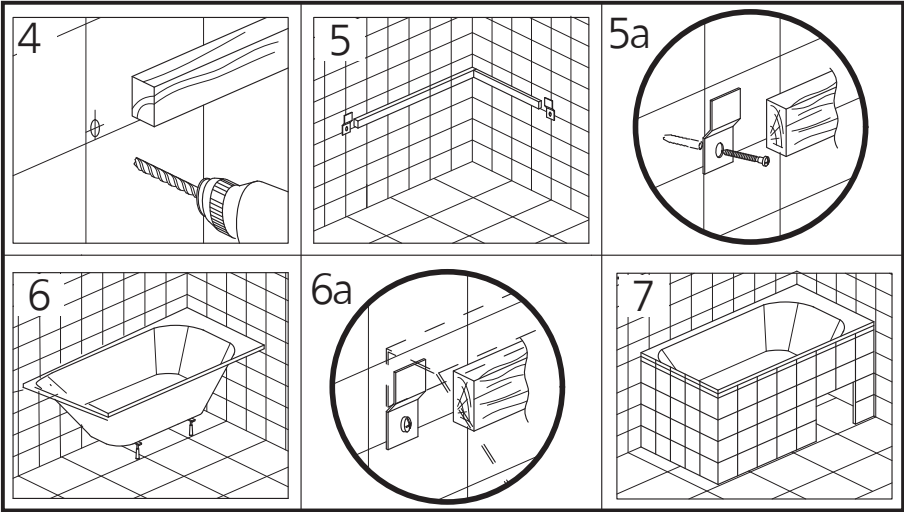
2. Turn the bathtub over and locate in the installed position. Level the tub when it is in its final position. Lay the level along the rim of the tub (never on the bottom) and adjust the feet as necessary (fig. 2) until all the feet touch the floor firmly with no rocking or instability.
3. Mark the rim height on the wall by drawing a horizontal line (fig. 2-3a).



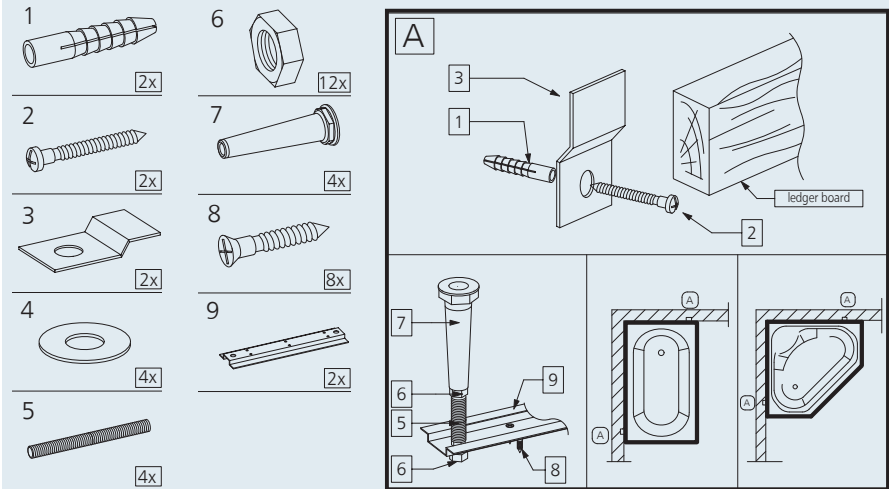
DIAGRAMS 1-3a APPLY TO ALL INSTALLATION VARIANTS

## ▼ BATHTUB INSTALLATION – 1st VARIANT

1. Attach two ledger board strips (not included) to the walls (fig. 4).  
Their length should be 50 mm shorter than the tub edges.
2. Install the two hangers as shown in fig. 5-6a. Install the bathtub connecting it to the hangers.

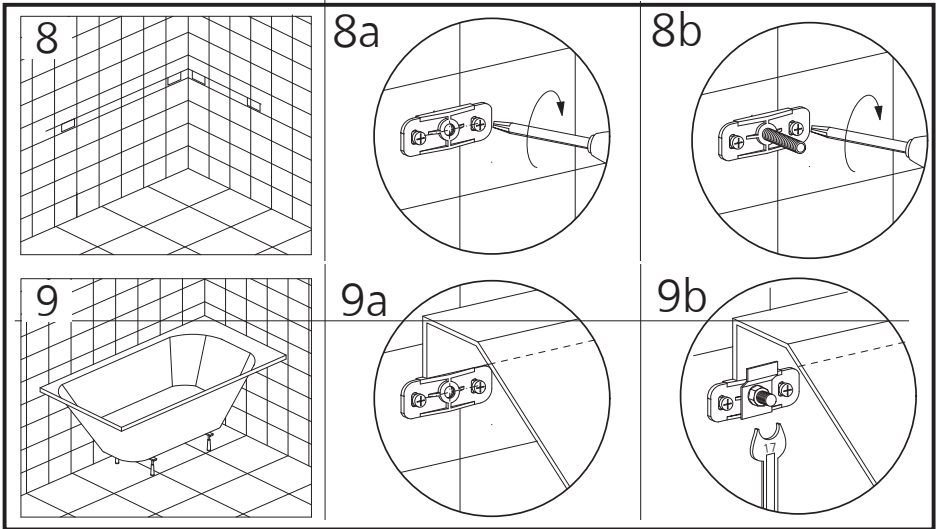


### MOUNTING COMPONENTS

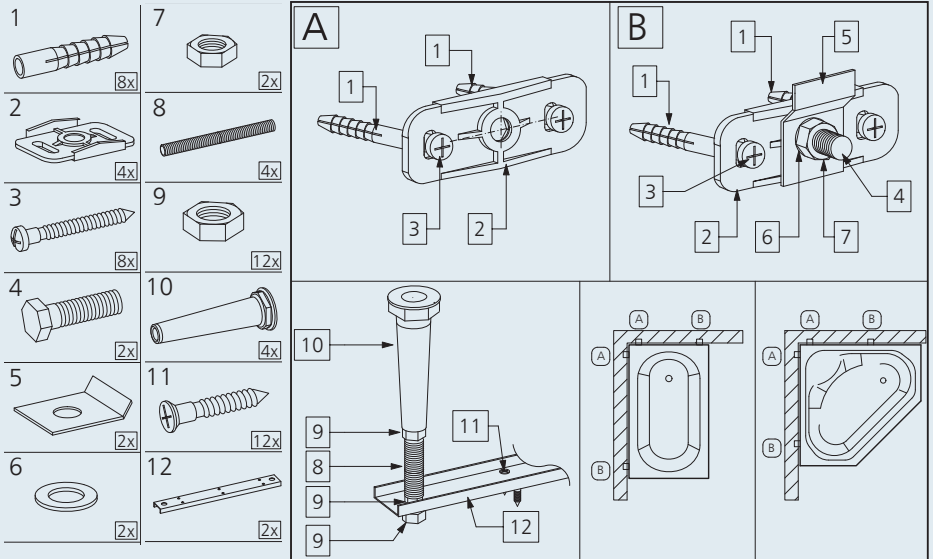


## ▼ INSTALLATION - 2nd VARIANT

1. Attach four adjustable plastic supports to the walls as shown in fig. 8, 8a, 8b.
2. Set the tub on the hangers and secure with the nuts (fig. 9, 9a, 9b).

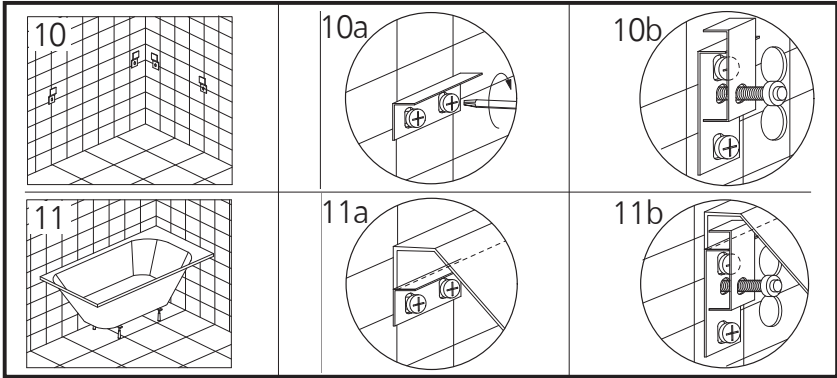


### MOUNTING COMPONENTS

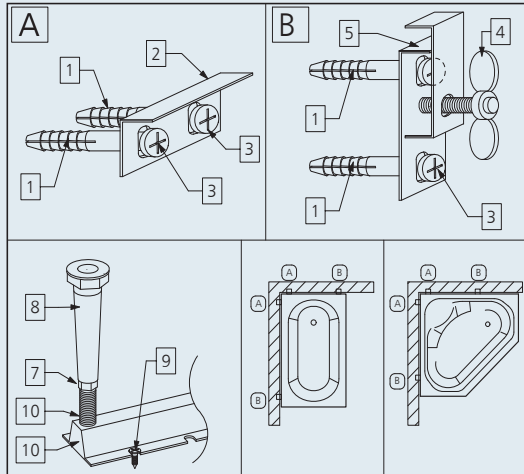
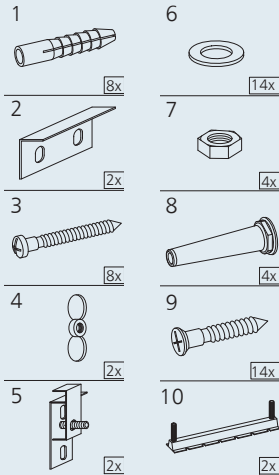


## ▼ INSTALLATION - 3rd VARIANT

1. Attach four adjustable metal supports to the walls as shown in fig. 10, 10a, 10.
2. Set the tub on the hangers and secure with the nuts (fig. 11, 11a, 11b).

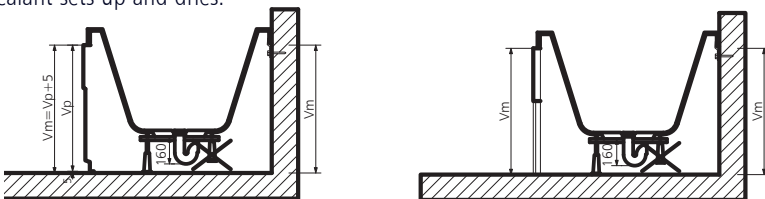


### MOUNTING COMPONENTS



## ▼ DRAIN TRAP INSTALLATION / LEAK TEST

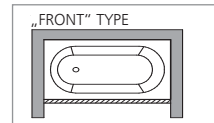
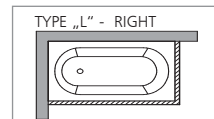
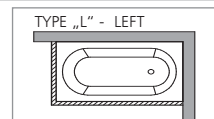
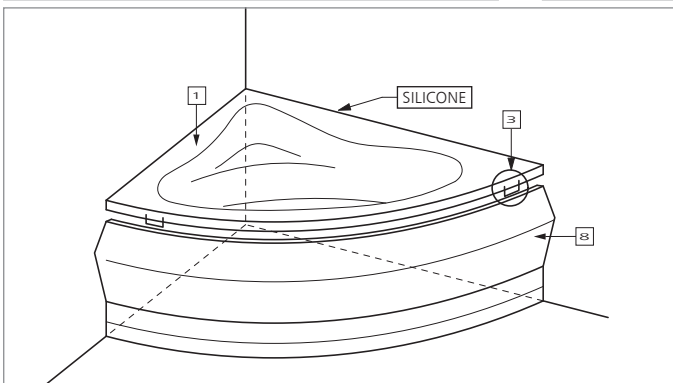
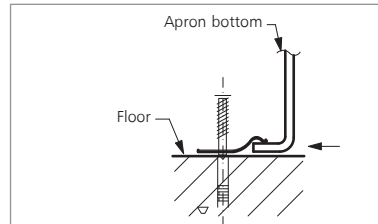
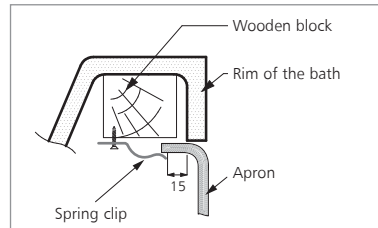
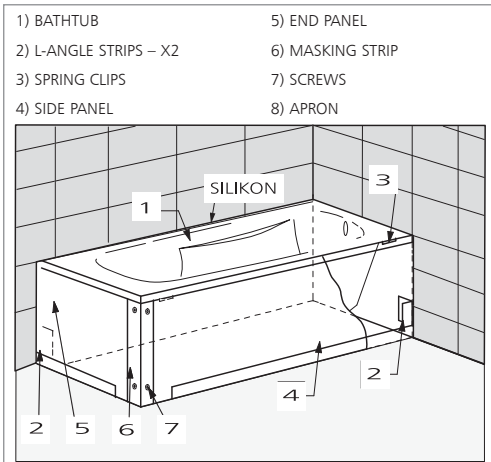
Connect the drain trap and the outflow. Fill the bathtub with water and check all the connections for leakage. To prevent water getting down behind the tub the connection between the tub and the wall should be filled with silicone sealant. Empty the bathtub after the sealant sets up and dries.



## APRON INSTALLATION

### A/ Acrylic apron for standard and corner bath units

1. Mount the spring clips to the wooden blocks located under the rim of the bath (See Illustration)
2. Install the bathtub in the chosen location following the instructions. While installing the apron it is important to match its height to a specific bathtub model: all standard models are 58 cm high, the height of corner baths is model-specific. To carry out measurements the unit must be placed in its final location and leveled. Lay the level along the rim of the tub, never on the bottom. Adjust the feet as required.
3. Complete bathtub installation in the designed corner.
4. Lift apron up under bath at a slight angle, engaging the spring clips. Aprons for corner baths are ready to install immediately after unpacking, aprons for standard baths consist of two parts which need to be assembled together according to instructions.
5. Standard bath apron can be secured with an apron rail with double sided adhesive tape or by means of clips attached to the floor. To stiffen the apron at the corners we recommend using L-angle strips and velcro tape. Use rawlnuts to attach the angle strips. A similar procedure can be applied to corner baths. In this case wooden blocks are used instead of rails. They are attached to the floor alongside the apron's perimeter.



## APRON INSTALLATION

### B/ Wood apron

Wood apron consists of side and end panels made to fit a specific bathtub model.

Installation procedure (remember to match the apron to the height of the tub (58 cm):

1. Using included screws mount the spring clips to the wooden blocks located under the rim of the bath.
2. Attach angle brackets to the panels so that their position corresponds to the position of spring clips.
3. Carefully set the bathtub in place and check it to ensure that it is level.
4. Join the panels and secure the connectors by turning the bolts with a screwdriver.
5. Lift the top of the skirt up under the rim of the bath, engaging the spring clips.

### C/ Alternatives

These include polyurethane boards, plasterboard panels or other building materials covered with tiles. Remember to leave a service access to the trap of at least 20x40 cms.

## ACRYLIC BATHTUBS CARE AND MAINTENANCE

The smooth acrylic surface prevents dirt accumulation. Rinsing it off after use and wiping with a cloth or a sponge damped in mild liquid household detergent cleaner is all that is necessary.

**ATTENTION: Never use abrasive substances or harsh chemicals on acrylic surfaces.**

### ▼ SMALL REPAIRS

Small scratches (up to 0,2 mm) can be removed with damp sandpaper (grid 400 to 800) starting with grade 400 and working up through the grades until the surface is smooth. Lastly, polish with polishing compound (a liquid auto polish) to restore the gloss.

