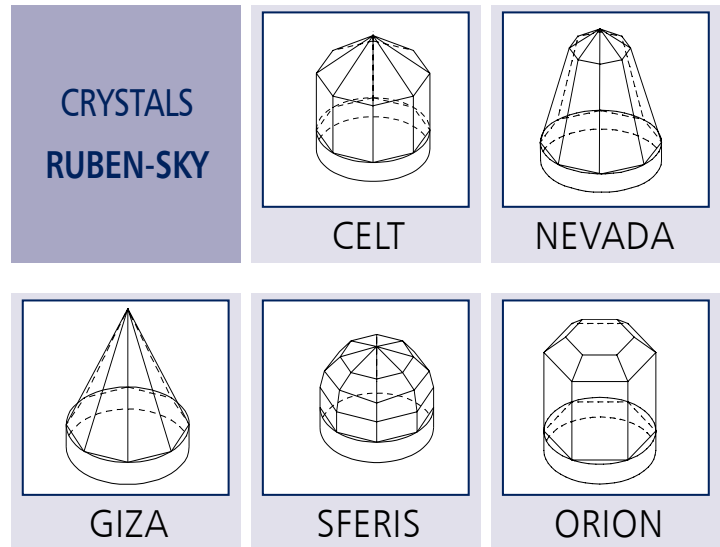


SYSTEM DESCRIPTION - RUBEN-SKY

The number of diodes in the system can be expanded up to 600 – monitored manually or with a remote.

SYSTEM	SKY 20	SKY 40	SKY 60
LEDS QTY	20	40	60
CELT	4	8	12
NEVADA	4	8	12
GIZA	4	8	12
SFERIS	4	8	12
ORION	4	8	12
WIRING LENGTH (cm)	4 x 375	4 x 600	4 x 750
CONTROL function	a remote / control panel		

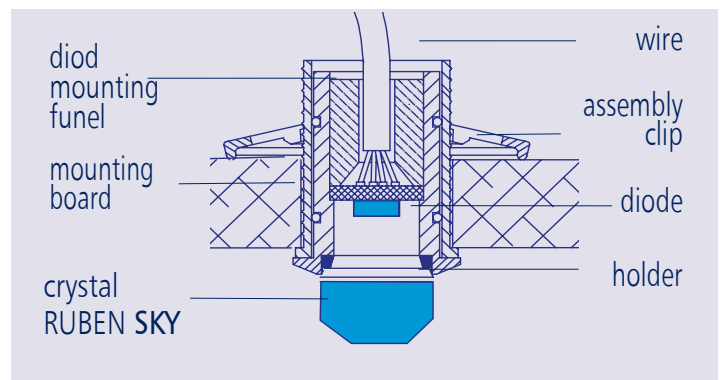


ASSEMBLY

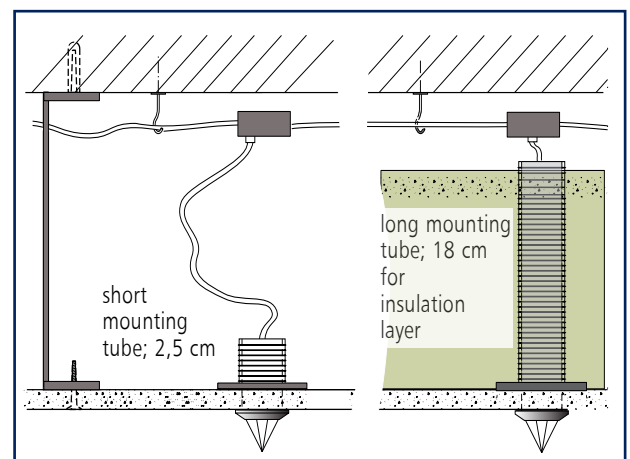
RUBEN-SKY components

1. CONTROLLER
2. Light sources (qty): 20, 40, 60:
crystal, diode, fixture, wires
3. Diode mounting funnels (qty): 20, 40, 60
4. Assembly clips (qty): 20, 40, 60
5. Main wire: x4
6. A remote or
- 6a. Control panel with wall mounting funnels

CRYSTALS ASSEMBLY DIAGRAM



1. Prepare the mounting board (recommended thickness – 10mm). Mark the location of crystals taking wiring length into account (see: chart). Assemble the controller and the wiring.
2. Drill the required number of ~ 16mm holes.
3. Place the mounting funnels into the holes and secure them with assembly clips (note the correct positioning of the clips).
4. Connect the main wiring („start“) to the controller.
5. Mount the diodes and connect them to the main wires.
6. Secure the crystals in the mounting funnels.
7. Finalise electrical connections according to the diagram (the remote controlled version requires only connecting the controller to the power supply).



DECORATIVE CHROMOTHERAPY RUBEN SKY

crystal SKY montage
Crystal SKY montage
montaż kryształku SKY

CRYSTAL SKY exchange from revision
CRYSTAL SKY Austausch von Revision
wymiana kryształku SKY z rewizją

CRYSTAL SKY exchange without revision
CRYSTAL SKY Austausch ohne Revision
wymiana kryształku SKY bez rewizji

